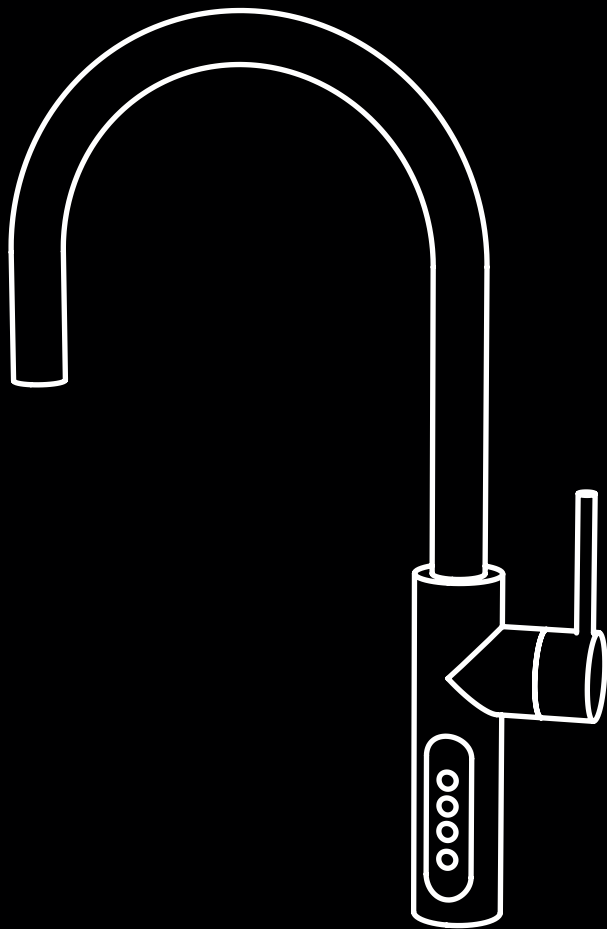


ALIA



ALIA X51 Installation Schematic

## X51 Operation





**X51**

# Boiling & Ambient

Installation Schematic

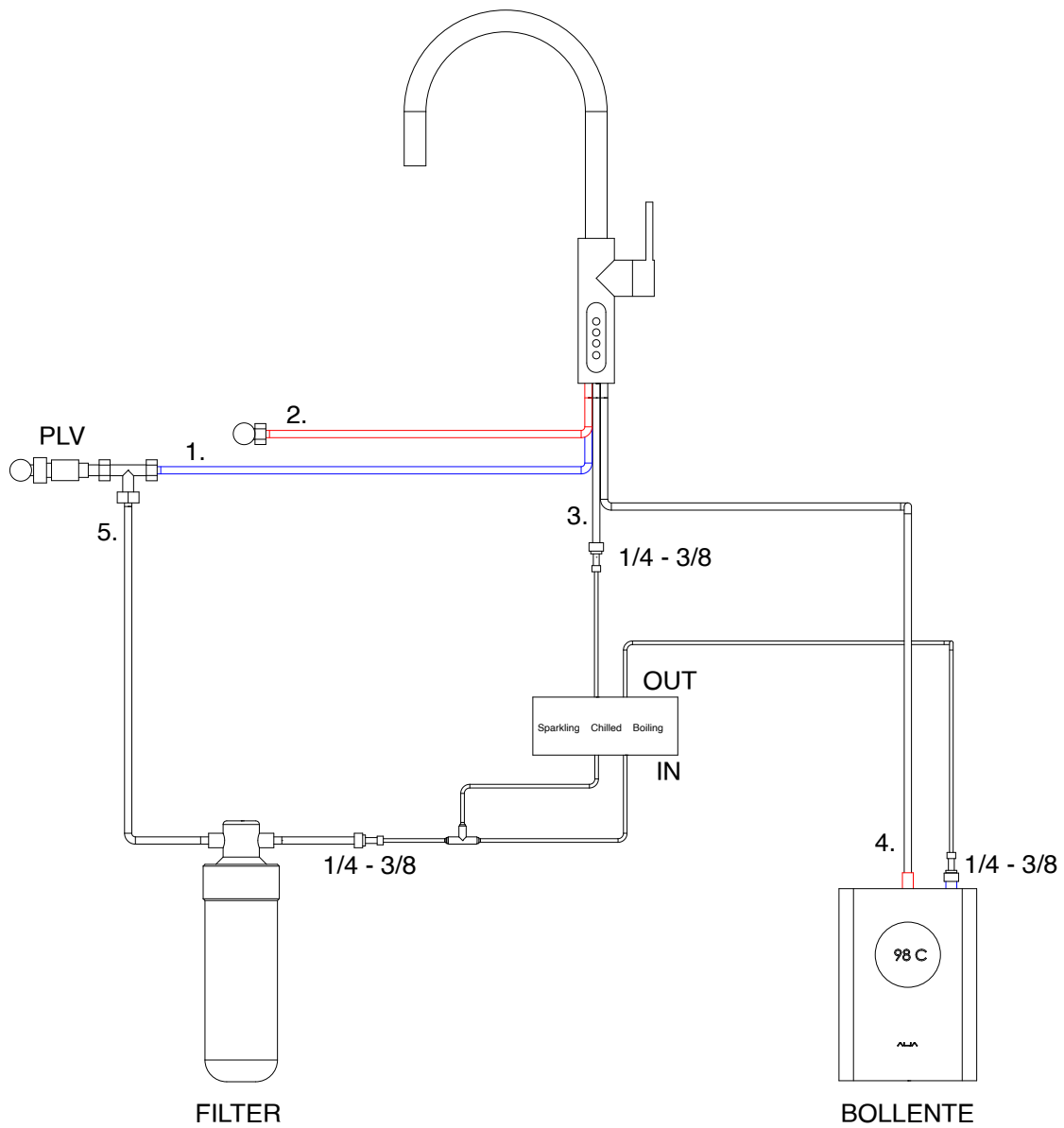
# X51 Boiling & Ambient

Applies To Models:

AG-BXNI  
AG-BXCH  
AG-BXGM

AG-BXMB  
AG-BXBG

## Front View



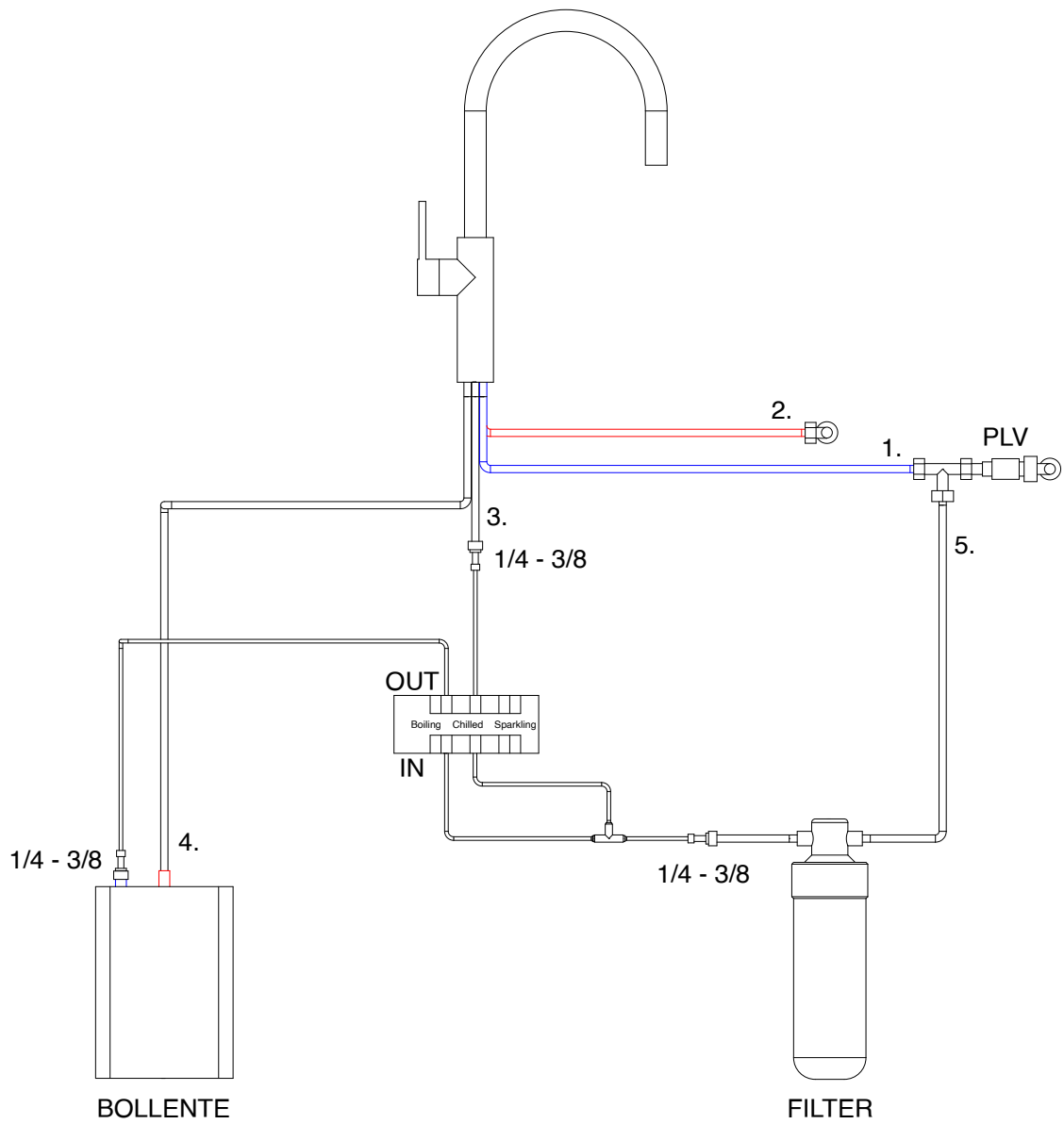
# X51 Boiling & Ambient

Applies To Models:

AG-BXNI  
AG-BXCH  
AG-BXGM

AG-BXMB  
AG-BXBG

## Rear View



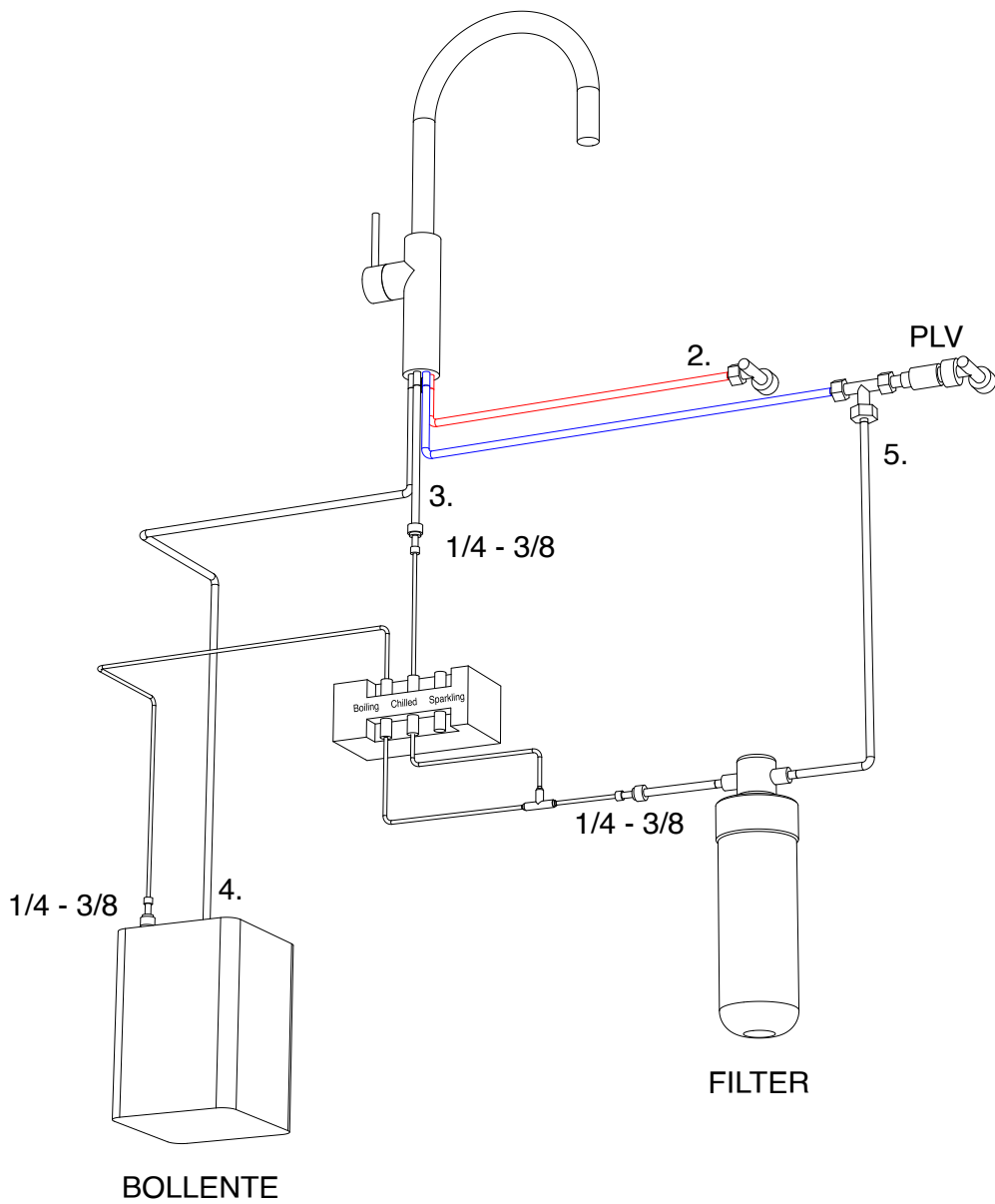
# X51 Boiling & Ambient

Applies To Models:

AG-BXNI  
AG-BXCH  
AG-BXGM

AG-BXMB  
AG-BXBG

## Isometric View





**X51**

# Boiling & Chilled

Installation Schematic

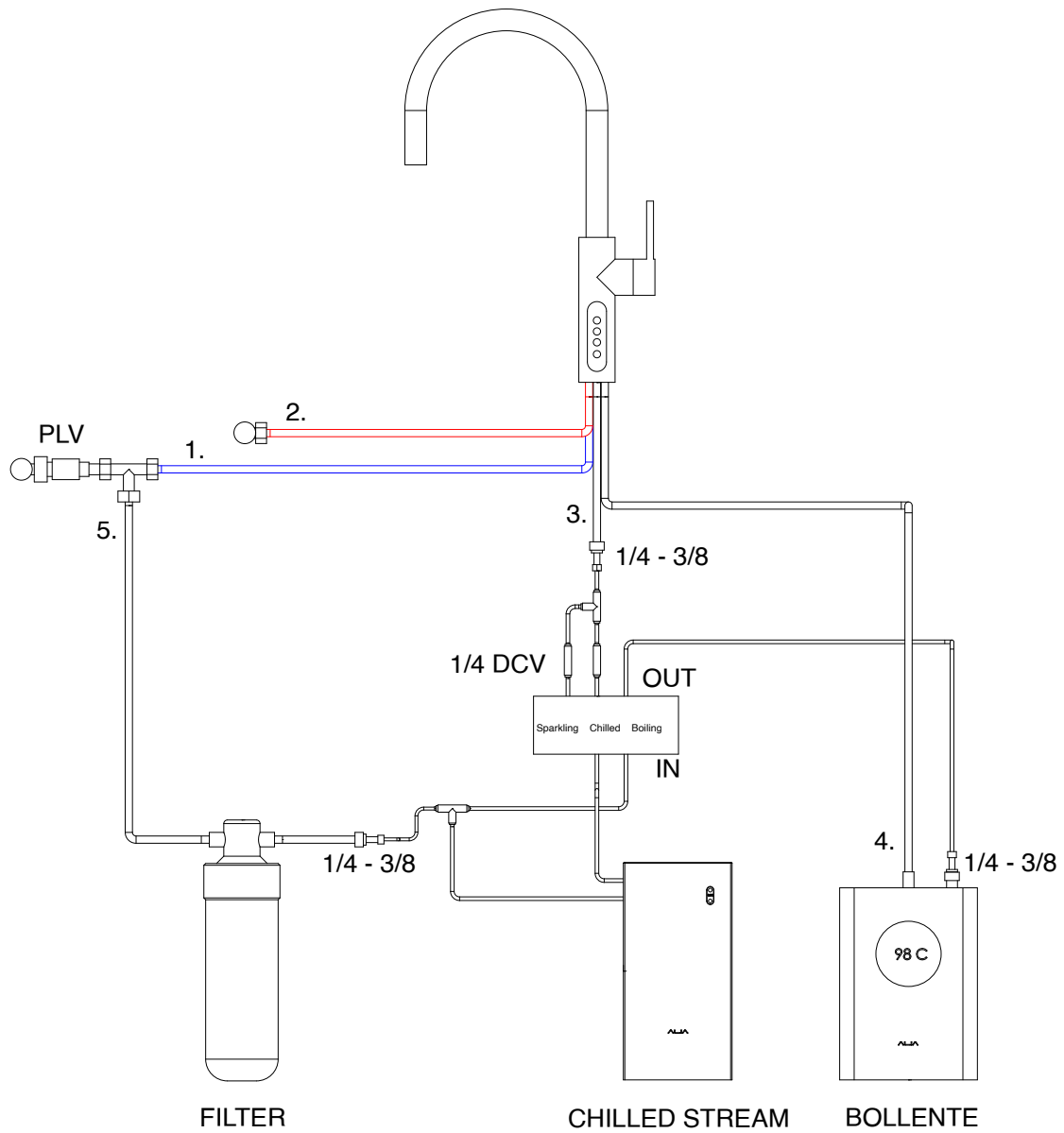
# X51 Boiling & Chilled

Applies To Models:

AG-CS101NI  
AG-CS101CH  
AG-CS101GM

AG-CS101MB  
AG-CS101BG

## Front View



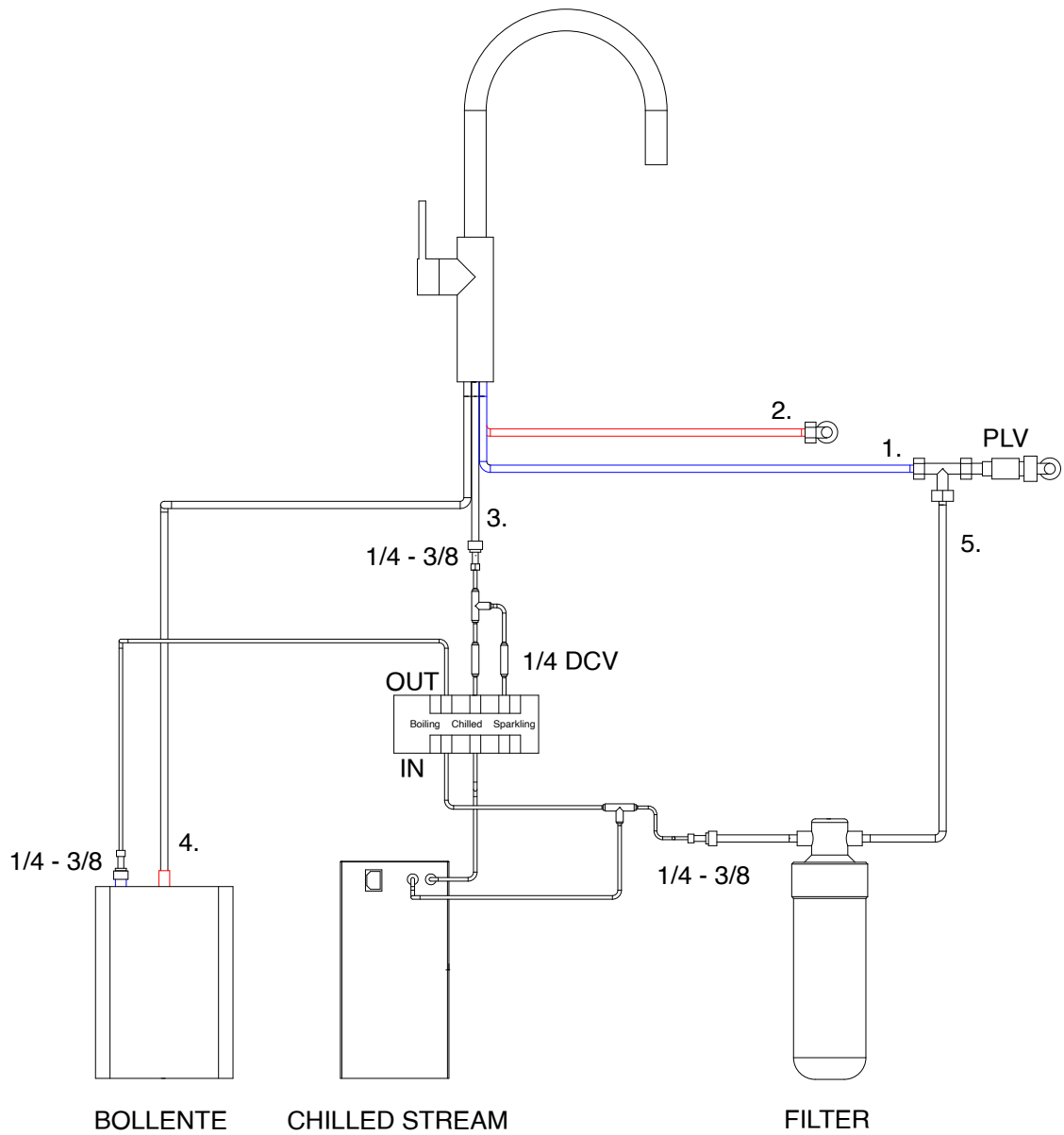
# X51 Boiling & Chilled

Applies To Models:

AG-CS101NI  
AG-CS101CH  
AG-CS101GM

AG-CS101MB  
AG-CS101BG

## Rear View



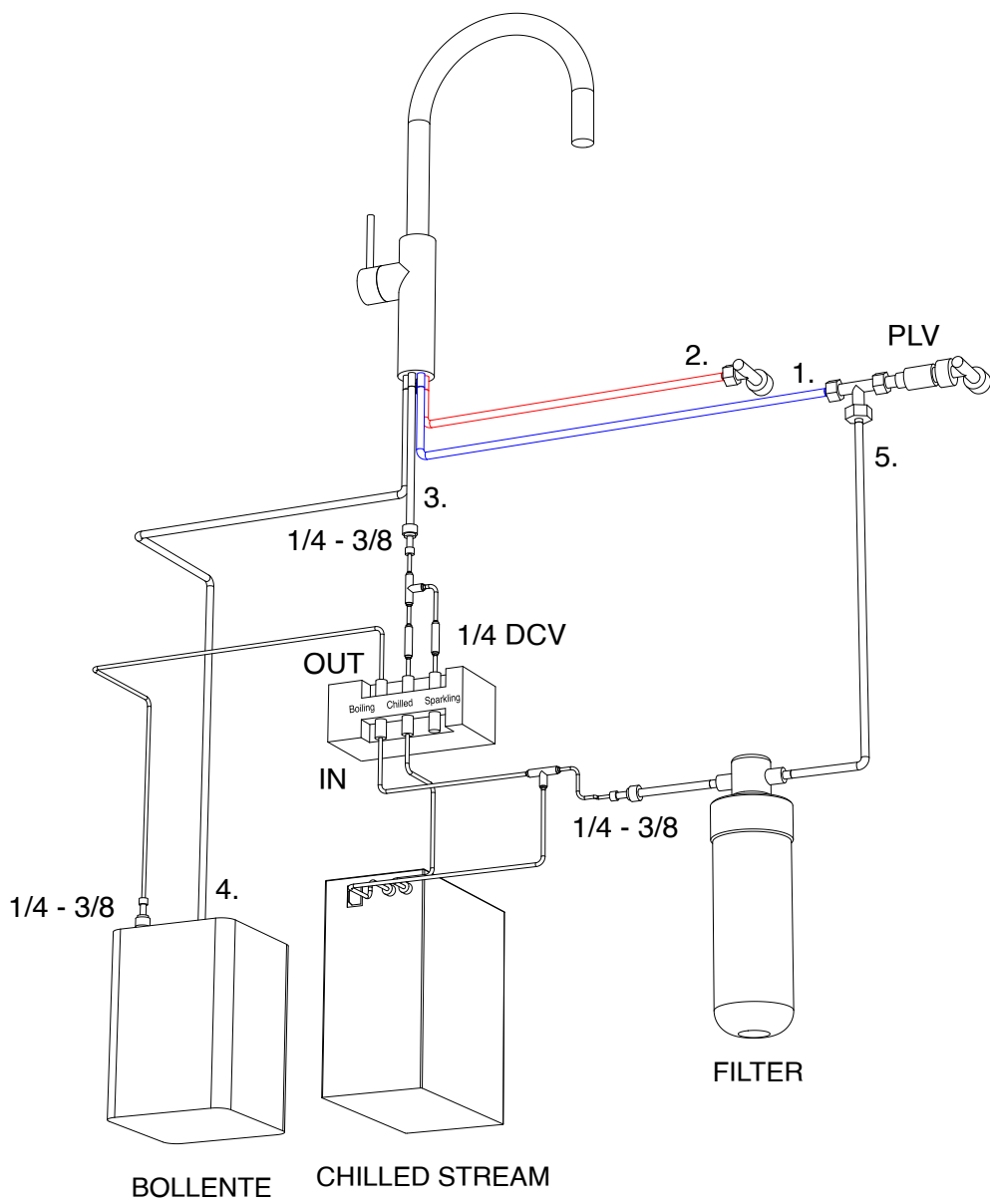
# X51 Boiling & Chilled

Applies To Models:

AG-CS101NI  
AG-CS101CH  
AG-CS101GM

AG-CS101MB  
AG-CS101BG

## Isometric View





**X51**

**Boiling, Chilled & Sparkling**

Installation Schematic

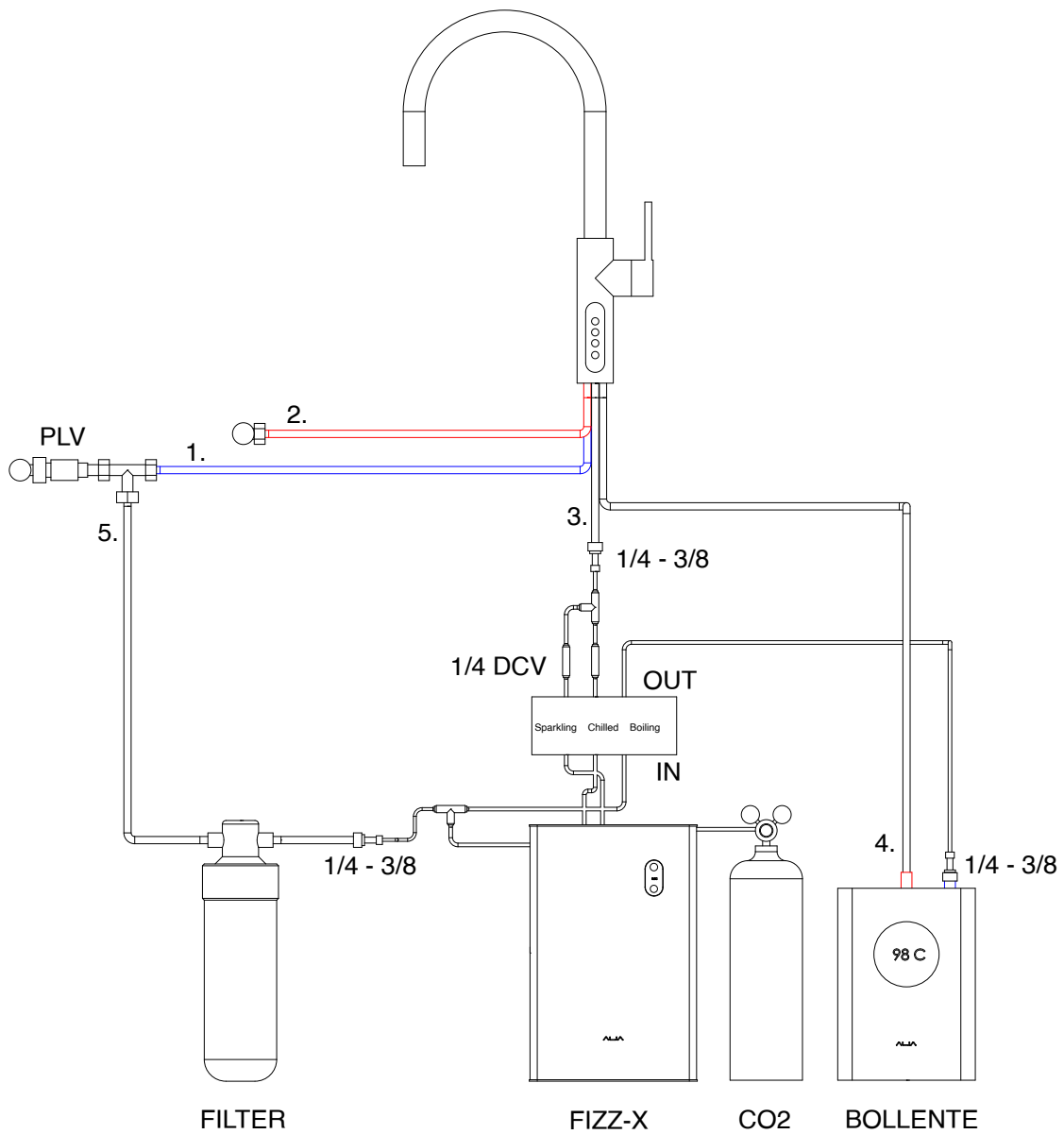
# X51 Boiling, Chilled & Sparkling

Applies To Models:

AG-FX01NI  
AG-FX01CH  
AG-FX01GM

AG-FX01MB  
AG-FX01BG

## Front View



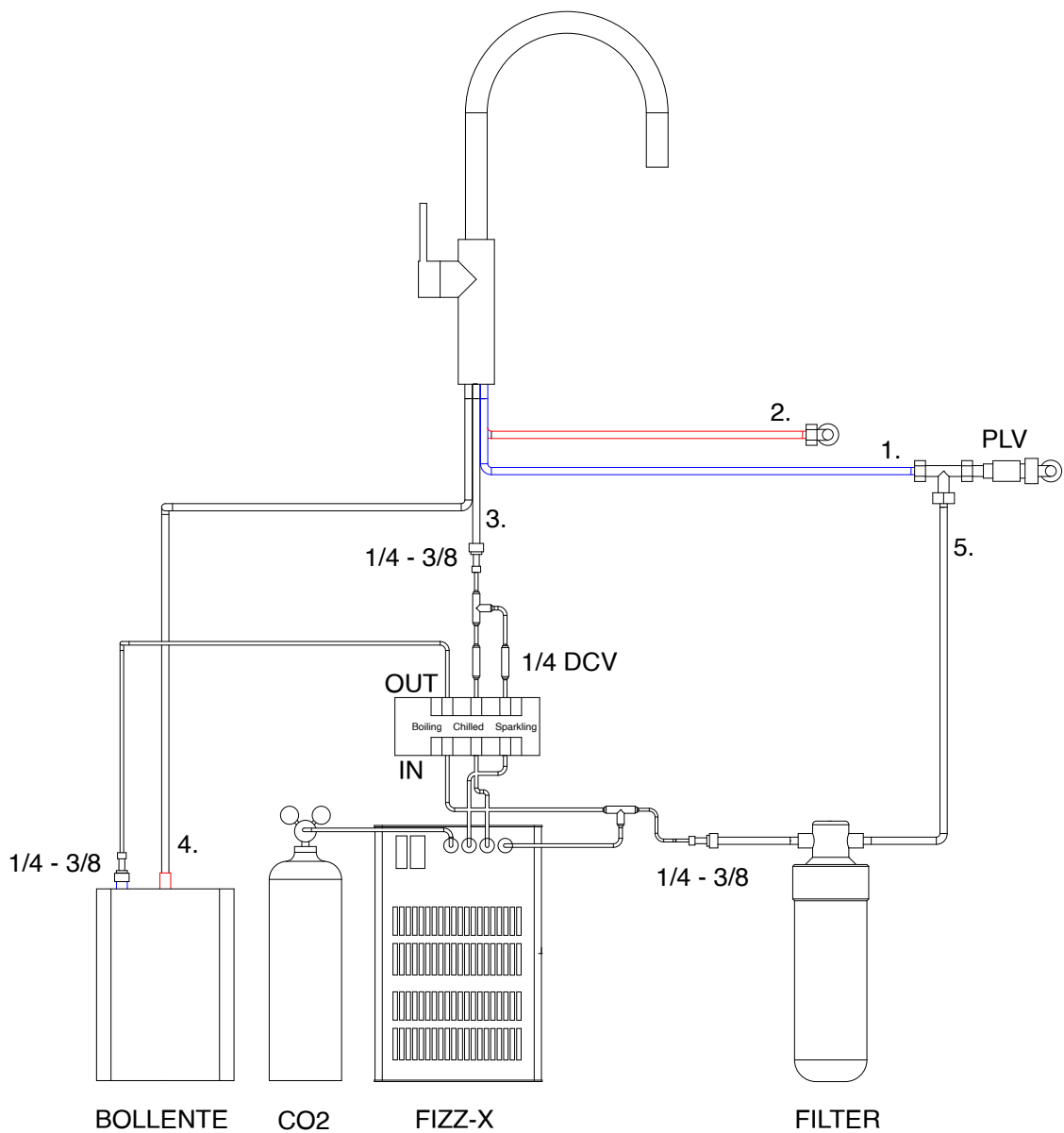
# X51 Boiling, Chilled & Sparkling

Applies To Models:

AG-FX01NI  
AG-FX01CH  
AG-FX01GM

AG-FX01MB  
AG-FX01BG

## Rear View



# X51 Boiling, Chilled & Sparkling

Applies To Models:

AG-FX01NI  
AG-FX01CH  
AG-FX01GM

AG-FX01MB  
AG-FX01BG

## Isometric View

